



CITY OF NEWPORT BEACH

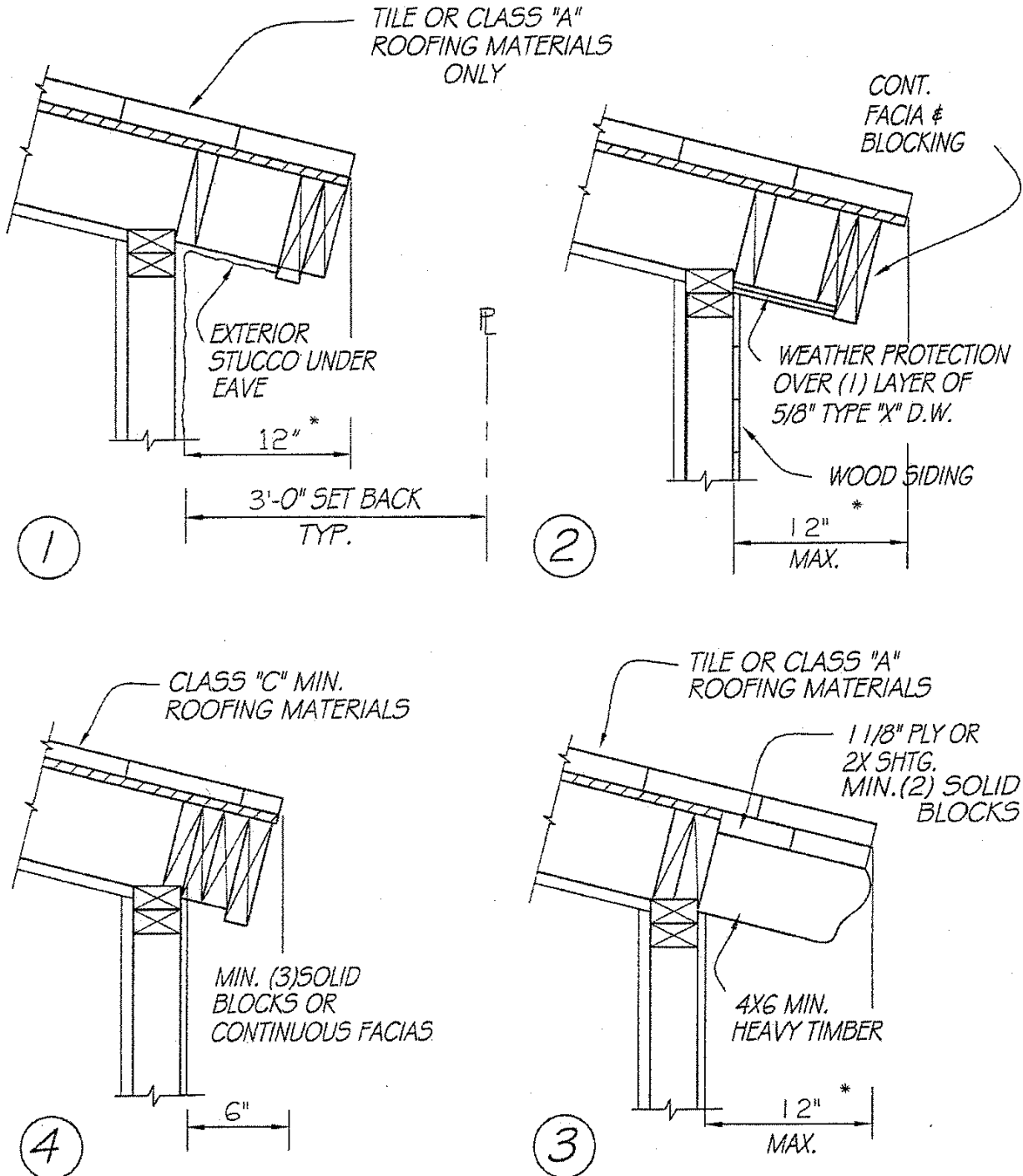
COMMUNITY DEVELOPMENT DEPARTMENT

BUILDING DIVISION

100 Civic Center Drive | P.O. Box 1768 | Newport Beach, CA 92658-8915

www.newportbeachca.gov | (949) 644-3200

ACCEPTABLE 1-HR PROJECTION CONSTRUCTION



* 6" MAX. OVER REQUIRED WINDOWS
Forms\1-Hour Projection Construction Feb. 2001