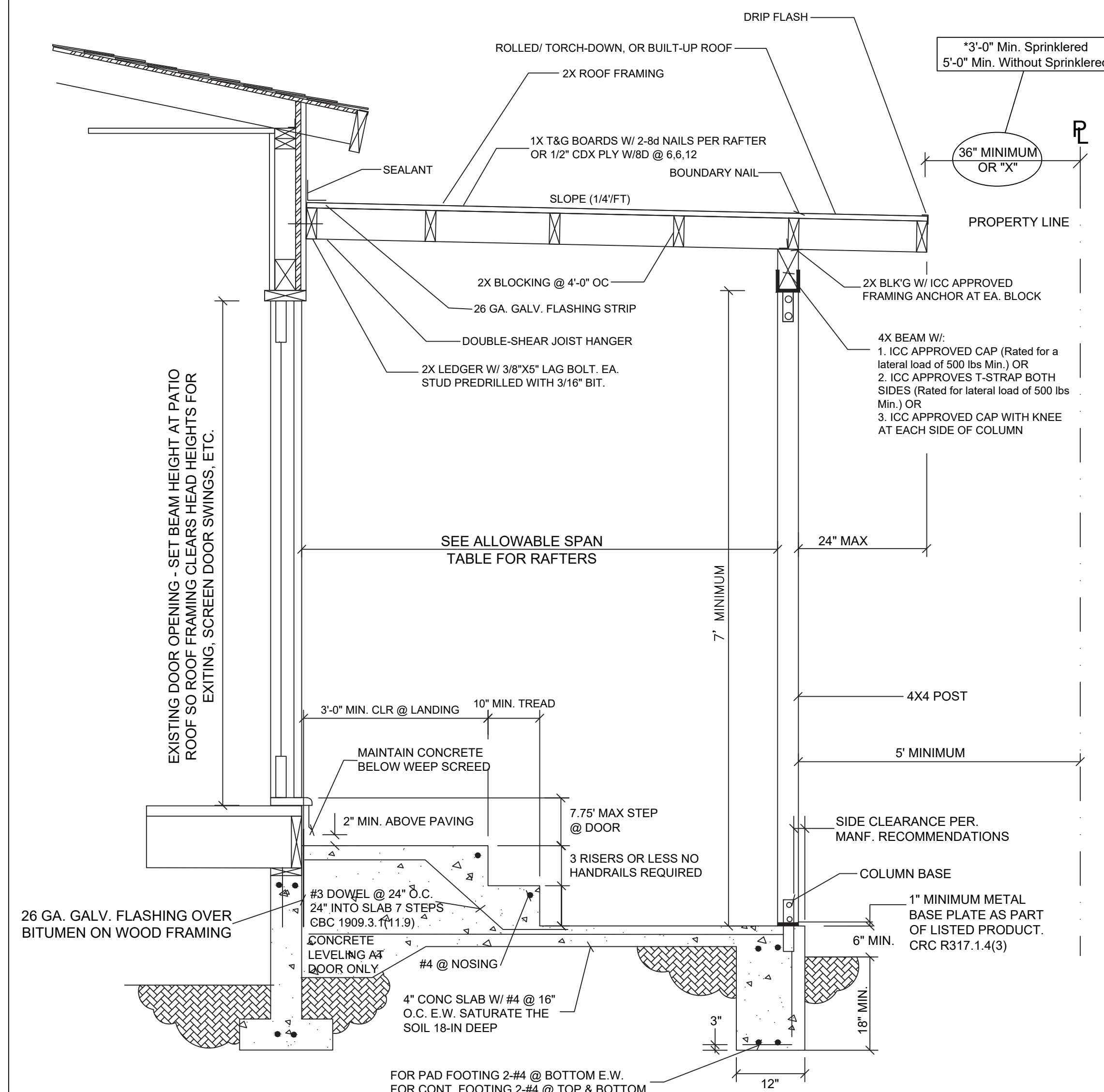
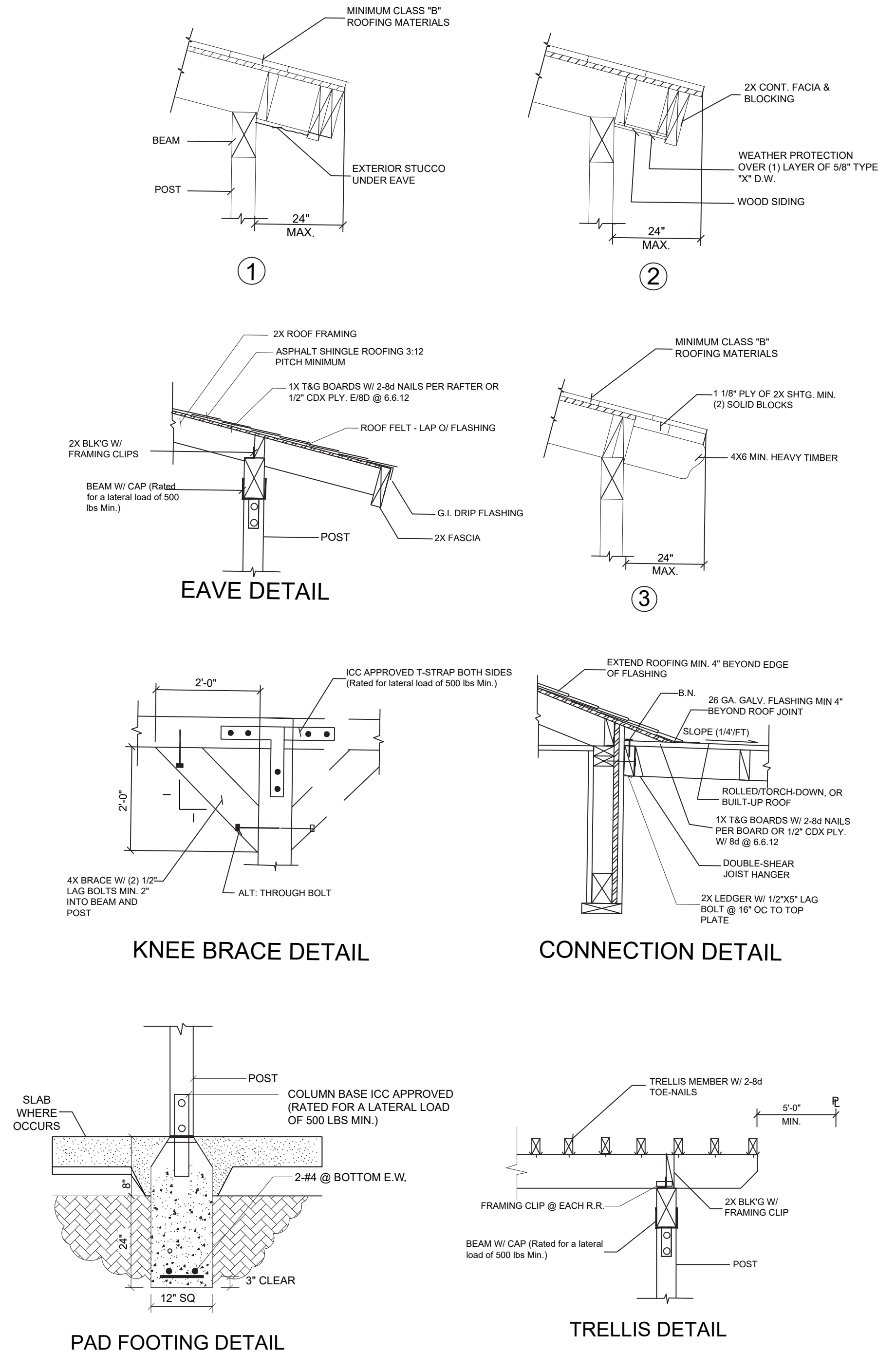




BUILDING DIVISION

STANDARD ATTACHED PATIO COVER PLAN

LIMITS OF APPLICABILITY
 - USE OF THIS DOCUMENT SHALL NOT PERMIT THE APPLICANT TO MODIFY ANY PORTION(S) OF THIS PLAN OR THESE DETAILS



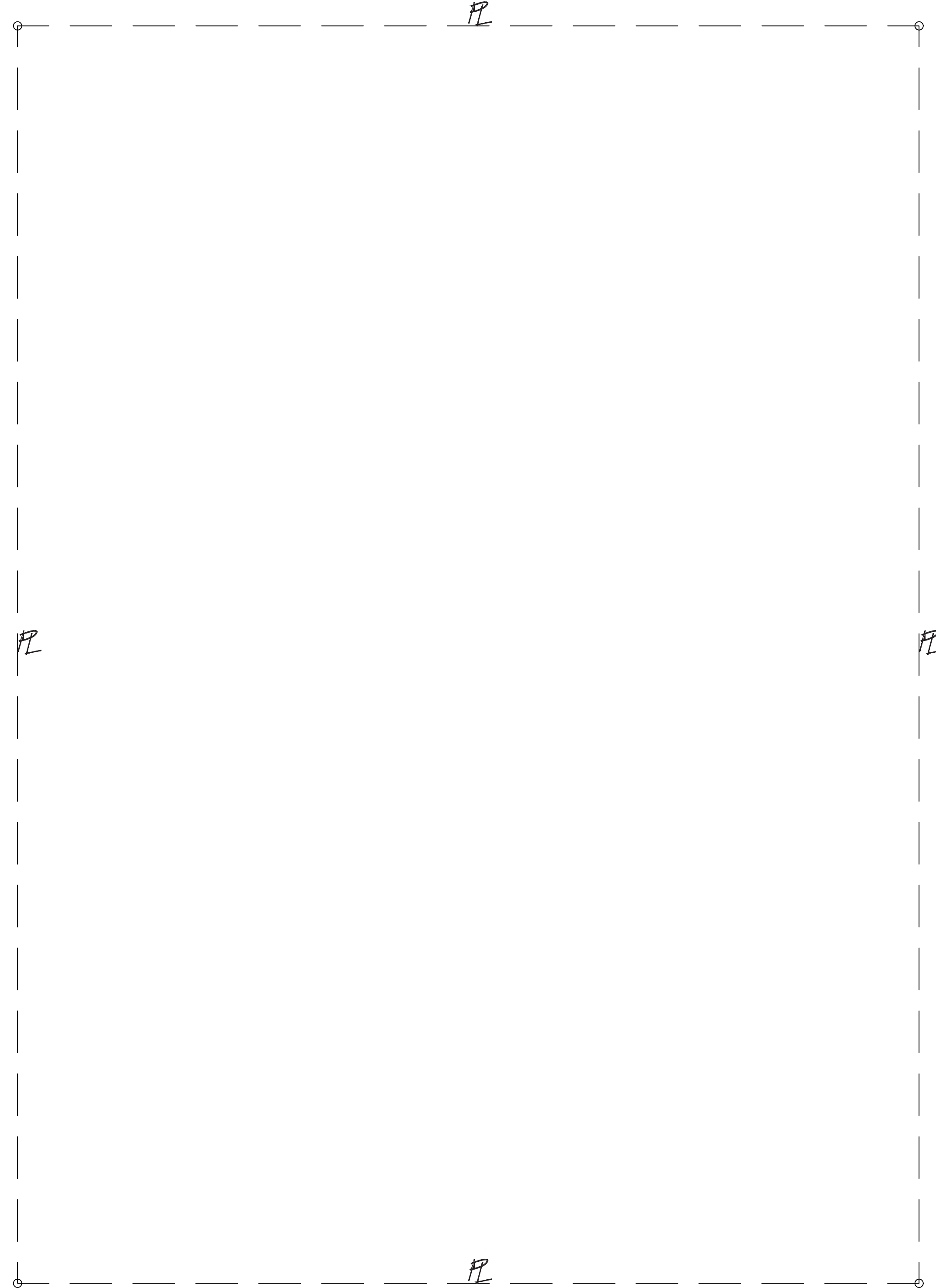
*Eave projection may reduce to 36" away from PL provided 1 hour construction on the underside (Table R302.1(1)). See Detail 1-3.

GENERAL NOTES

- TYPE V CONSTRUCTION IS A CLASSIFICATION OF BUILDING BY CONSTRUCTION MATERIALS AND METHODS.
- IT IS THE LEAST RESTRICTIVE PERMITTED BY THE BUILDING CODE.
- THIS PLAN IS NOT FOR SPECIAL FIRE PROTECTION AREAS.
- ALL FRAMING SHALL BE DOUGLAS FIR GRADE #2 OR BETTER.
- METAL CORROSIVE RESISTANT PLATE REQUIRED UNDER ALL POSTS. CRC R317
- RAFTERS MAY NOT ATTACH TO FASCIA.
- ROOF SHEATHING: 24" MAX SPAN FOR 1X T&G. 48" MAX SPAN FOR 2X T&G DOUGLAS FIR CONSTRUCTION GRADE. CRC T-R803.1
- CONCRETE STRENGTH 2500 P.S.I. @ 28 DAYS. CRC T-R402.2
- REINFORCEMENT 40 K.S.I. YIELD STRENGTH. CRC R403.1.3.5.1
- DESIGNS WHICH PROVIDE A POINT LOAD OVER FRAMED MEMBERS REQUIRES A LICENSED ARCHITECT OR ENGINEER.
- INSTALL OR VERIFY SMOKE AND CARBON MONOXIDE DETECTORS ARE EXISTING PER CRC R314.1 AND R315.2.

ALLOWABLE SPANS FOR DF #1 HEADERS Maximum span of tributary Load 20'-0"		ALLOWABLE SPANS FOR DF #2 ROOF RAFTERS Max roofing load: 6 psf (Asphalt Shingles) live load: 20 psf		
SPAN	BEAM SIZE	RAFTER SIZE	SPACING	ALLOWABLE SPAN
Up to 4'-0"	4X4	2X6	24"	10'-6"
4'-1" to 6'-0"	4X6		16"	13'-0"
6'-1" to 8'-0"	4X8		12"	14'-6"
8'-1" to 10'-10"	4X10	2X8	24"	13'-0"
10'-0" to 12'-0"	4X12		16"	16'-6"
		2X10	12"	15'-6"
			24"	16'-6"
			16"	20'-6"
			12"	23'-6"

*4X12 No. 1 may be used for a 16'-0" garage opening in one-story patio or carport structures.



STREET
 SITE/PLOT PLAN
 SHOW LOCATIONS OF HOUSE, GARAGE, POOL, AND DETACHED STRUCTURE
 SHOW LOCATION OF PROPOSED PATIO COVER WITH DIMENSIONS TO
 PROPERTY LINES AND ADJACENT STRUCTURES.
 SETBACKS BY PLANNER: _____

SCOPE OF WORK:	
PROJECT ADDRESS:	
OWNER'S NAME:	PLAN PREPARER:
TEL. NO.:	CONTACT INFO:
SIGNATURE:	LICENSE NO.: