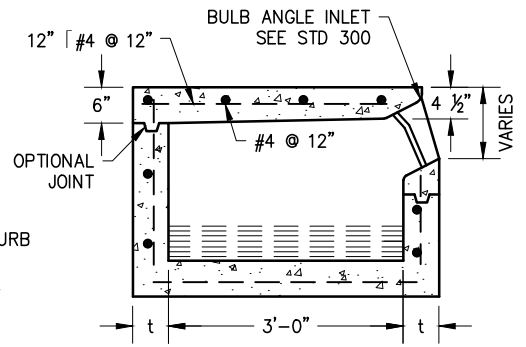
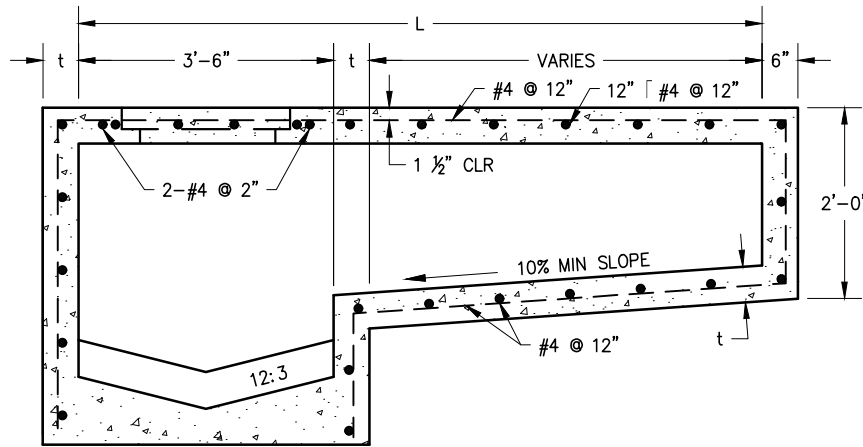


PLAN - INLET TYPE OL



SECTION C-C



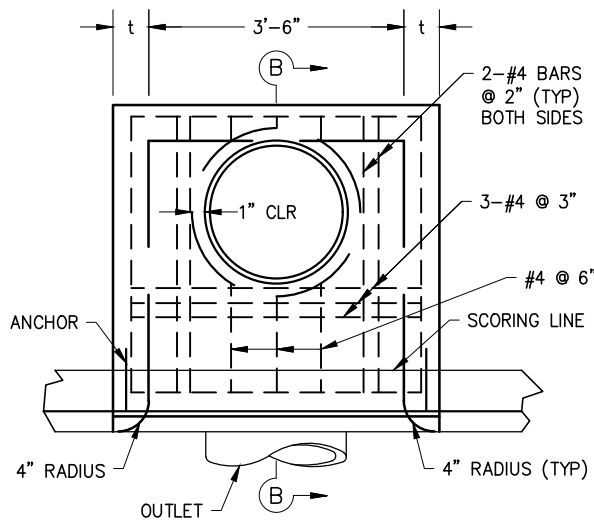
SECTION A-A

H	t
8' OR LESS	6"
8'-1" TO 20'	8"

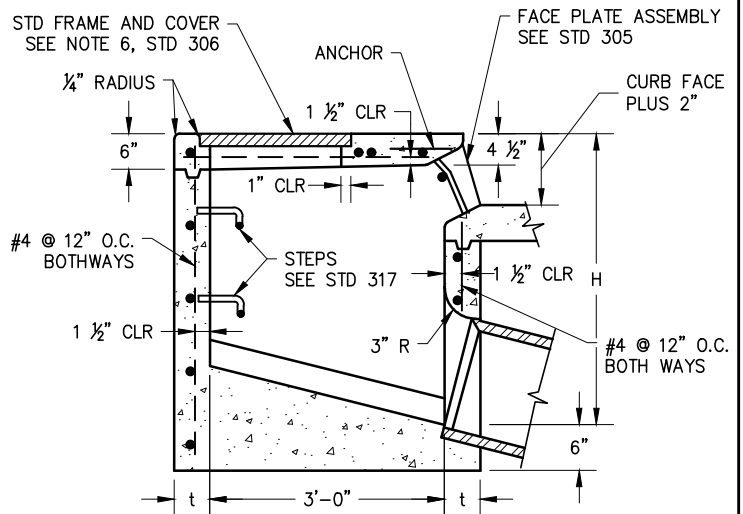
NOTES:

- FOR GENERAL NOTES AND LOCAL DEPRESSION SEE STD 306.
- STANDARD OPENING LENGTHS FOR "L" ARE: 7', 10', 14', AND 21' (OTHER LENGTHS MAY BE USED).

REFERENCES STDS 305; 306; AND 317.



PLAN - INLET TYPE OS



SECTION B-B

FORMER CITY STANDARD PLAN NUMBER (2004 EDITION): STD 306-L

APP. *James M. Hinkle* 51568 11/24/2020
 CITY ENGINEER RCE DATE

NO.	DATE	DESCRIPTION OF REVISIONS

CITY OF NEWPORT BEACH DEPARTMENT OF PUBLIC WORKS

DRAWN: M. ELIAS
 DATE: 11/3/2020

CURB INLET TYPE OL, CURB INLET TYPE OS

STANDARD DRAWING NO.
301
 SHEET 1 OF 1