

120-240 VAC LED FIXTURE, TYPE, COLOR TEMPERATURE, DISTRIBUTION, FINISH, DRIVE CURRENT, AND WATTAGE WILL BE DETERMINED BY THE CITY ON A CASE-BY-CASE BASIS.

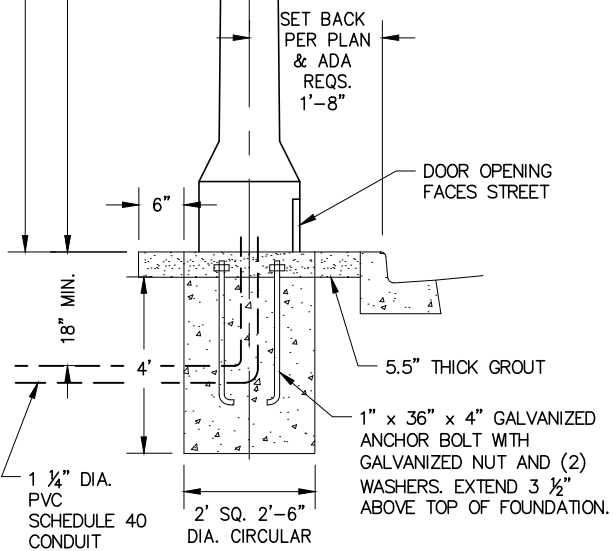
AMERON CONCRETE POLE MIX 37 OR APPROVED EQUAL.

AMERON CAT. NO.	POLE HEIGHT	BOLT DISTANCE X	BOLT CIRCLE Y
7B2-12SPL	12'-3"	10 1/4"	14 1/2"
7B2-14SPL	14'-6"	10 1/4"	14 1/2"
7B2-15SPL	15'-6"	11 5/16"	16"

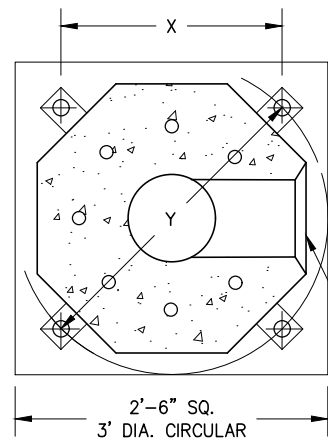
GENERAL NOTES

1. POLE HEIGHT AND WATTAGES TO BE SHOWN ON PLANS.
2. 2'-6" DIA. CIRCULAR FOUNDATION MAY BE USED IN PLACE OF 2' SQ. FOUNDATION.
3. ALL BASES SHALL BE POURED TO 4.5" BELOW SIDEWALK GRADE, TO ALLOW FOR 4.5" THICK GROUT.
4. THE AREA AROUND ALL STANDARDS SHALL BE FORMED AND POURED WITH GROUT TO EXTEND 6" BEYOND EDGE OF FOUNDATION ON EACH SIDE OF STANDARD FROM BACK OF CURB TO FRONT OF STANDARD. GROUT SHALL BE POURED FROM TOP OF BASE TO SIDEWALK GRADE. GROUT SHALL CONSIST OF 2 PARTS SAND AND 1 PART CEMENT.
5. EACH POLE SHALL HAVE A PULL BOX, SEE STD 204.
6. FUSE HOLDER IN ADJACENT PULL BOX, SEE STD 205.
7. ALL THREADED CONNECTIONS SHALL HAVE ANTI-SEIZE COMPOUND.
8. SEE POLE LEVELING DETAIL ABOVE.
9. FOR POLE WIRING, SEE STD 205.
10. POLE NUMBERING SHALL BE 1" BLACK VINYL SELF-ADHESIVE NUMBERS ON 1"x6" REFLECTIVE BACKING INSTALLED IN A VERTICAL ORIENTATION.
11. WIRING FROM ADJACENT PULL BOX TO LUMINAIRE SHALL BE #12 AWG INSULATED STRANDED COPPER (NON-GROUNDED CONDUCTORS) AND #12 AWG SOLID COPPER GROUND. MATCH COLOR CODE OF CIRCUIT.
12. HEAD TYPE TO BE DETERMINED BY CITY PER PROJECT SPECIFICATION.
13. POLE DOOR HAND HOLE FASTENERS TO BE TEMPER RESISTANT, STAINLESS STEEL.

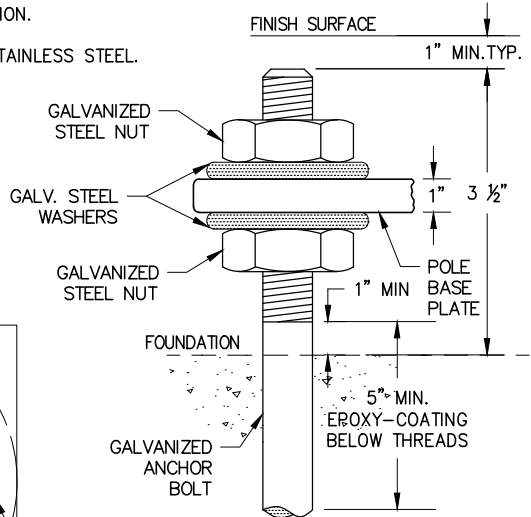
MOUNTING HEIGHT
POLE HEIGHT



ELEVATION



BASE DETAIL



LEVELING DETAIL

INSTALL ANTI-SEIZE COMPOUND TO THREADS

FORMER CITY STANDARD PLAN NUMBER (2004 EDITION): STD 202-L-B

APP. *James M. Hinkle* 51568 11/24/2020
CITY ENGINEER RCE DATE

NO.	DATE	DESCRIPTION OF REVISIONS

CITY OF NEWPORT BEACH DEPARTMENT OF PUBLIC WORKS

DRAWN: M. ELIAS
DATE: 11/3/2020

LIGHT STANDARD TYPE 3

STANDARD DRAWING NO.
201
SHEET 1 OF 1