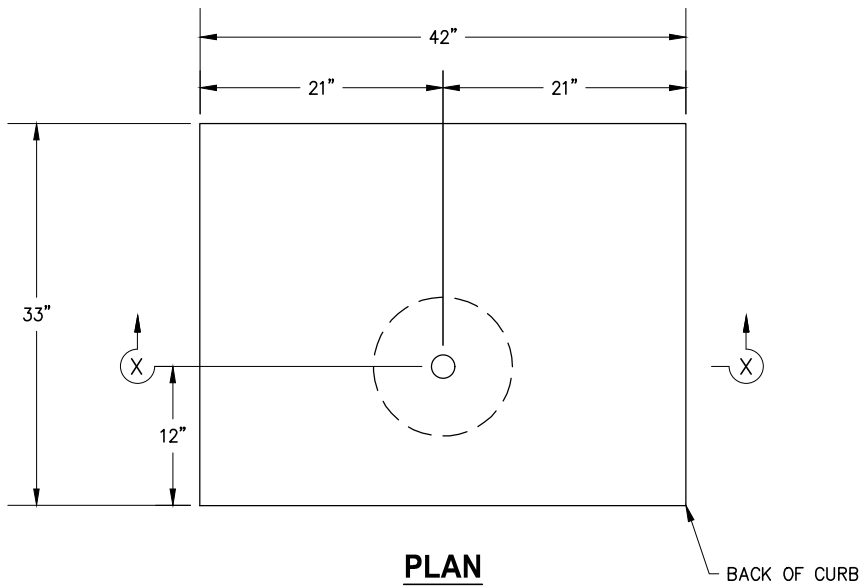


SECTION X-X



PLAN

FORMER CITY STANDARD PLAN NUMBER (2004 EDITION): STD 920-L

APP. *James M. Hinkle* 51568 11/24/2020
 CITY ENGINEER RCE DATE

NO.	DATE	DESCRIPTION OF REVISIONS

CITY OF NEWPORT BEACH DEPARTMENT OF PUBLIC WORKS

DRAWN: P. KHARAZMI

DATE: 11/3/2020

PARKING METER POST INSTALLATION I

STANDARD DRAWING NO.

920

SHEET 1 OF 1