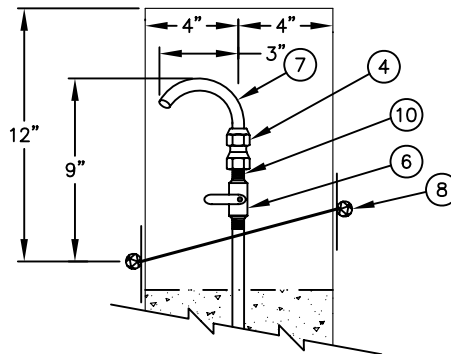


SECTION VIEW: not to scale



CONSTRUCTION NOTES:

- ① Install 1" standard service per applicable portions of STD-502-L.
- ② Fill riser pipe with sand from concrete pad support.
- ③ 1/2 x 3/4" brass bell reducer.
- ④ Lee Cast 34-410 size code 107 (3/4" x 1/2"). fip. x flare copper reducing bushing.
- ⑤ 1/2" soft copper.
- ⑥ Ball valve, 3/4" stainless steel ball valve with fip. ends and hand lever operator.
- ⑦ Install 1/2" type "K" soft copper tubing with solder joint to coupling. Bend to smooth 160° arc with 1/2" radius.

- ⑧ Heavy duty stainless steel hinges. Fillet weld to riser pipe.
- ⑨ 1/2" diameter stainless steel anchor bolts set in concrete slab.
- ⑩ SWT x MPT adapter.
- ⑪ 1 1/2" sch. 80 PVC sleeve.
- ⑫ J-130, 3/4" tailpiece.
- ⑬ 1" x 3/4" brass meter jumper.
- ⑭ J-1535 3/4" flare x fip adapter.
- ⑮ 8" standard steel pipe.

* For an alternative sampling station contact the C.N.B. Utilities Dept. representative.

CITY OF NEWPORT BEACH
PUBLIC WORKS DEPARTMENT

APPROVED:

RCE NO. 36106

PUBLIC WORKS DIRECTOR

Drawn: M. Elias

Scale: N.T.S.

Date: Jan. 2004

F:\USERS\PBW\Shared\CAD STD\STD Details\2003 - Std STD Water

DRAWING NO.

STD-523-L

WATER SAMPLING STATION