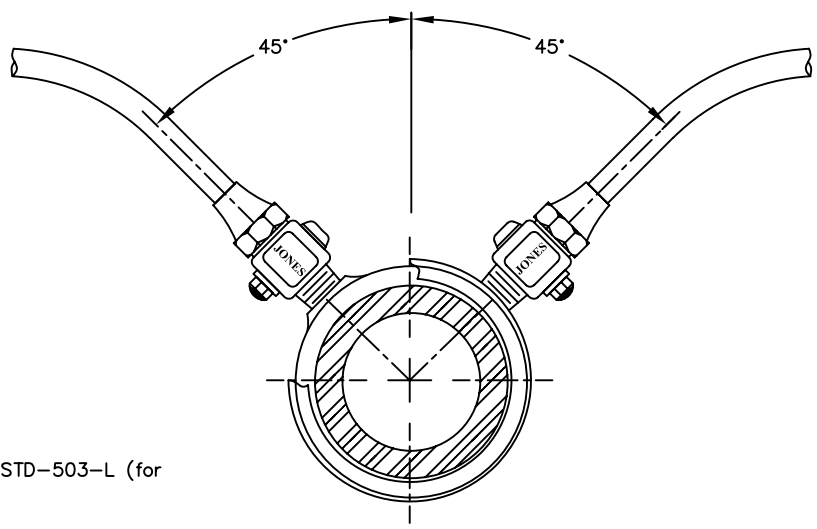


PLAN VIEW



SECTION A-A

CONSTRUCTION NOTES:

- ① Install solid C.I. plug with lug wings.
- ② Install 15 pound weight building paper.
- ③ Install concrete thrust block per STD-501-L.
- ④ Install service per STD-502-L (for 1" service) or STD-503-L (for 2" service).

CITY OF NEWPORT BEACH
PUBLIC WORKS DEPARTMENT

APPROVED:

PUBLIC WORKS DIRECTOR

**WATER SERVICE CONNECTION
FOR DEAD-END A.C. MAINS**

RCE NO. 36106

Drawn: M. Elias

Date: Jan. 2004

Scale: N.T.S.

F:\USERS\PBW\Shared\CAD STD\STD Details\2003 - Std\STD Water

DRAWING NO.

STD-504-L