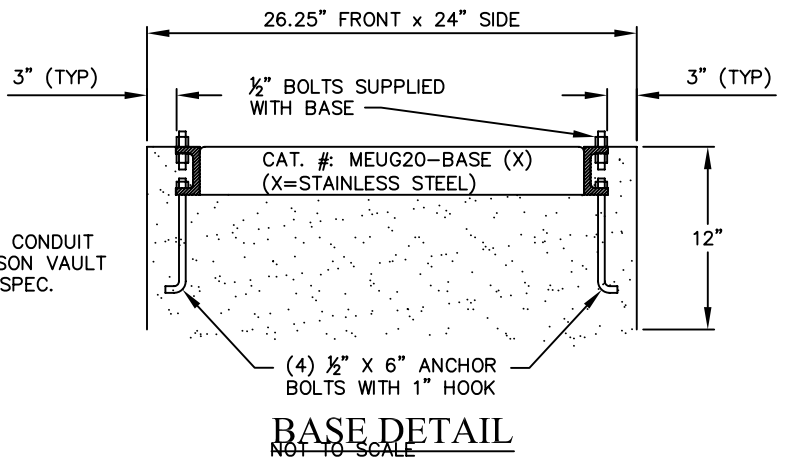
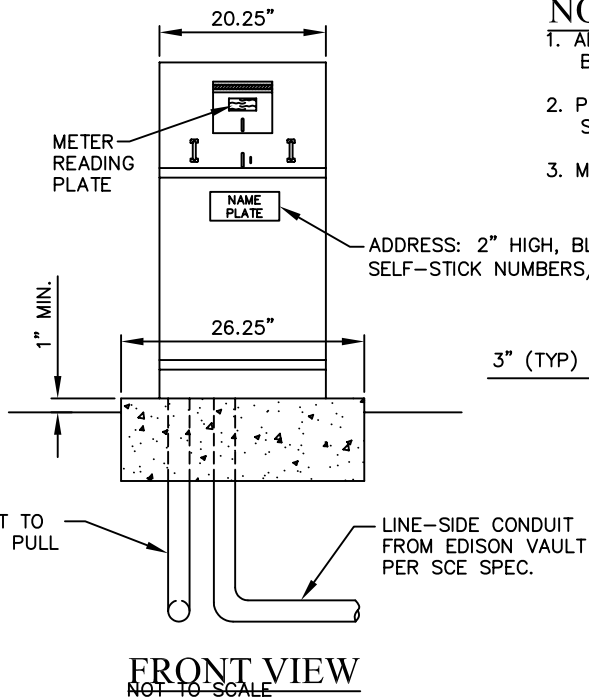


NOTES:

1. ALL ANCHORING HARDWARE, MOUNTS, NUTS, BOLTS AND BASE SHALL BE STAINLESS STEEL
2. PROVIDE 3 FT. CLEARANCE AROUND CABINET ON ALL SIDES, UNLESS OTHERWISE NOTED.
3. METER FACES STREET.



CITY OF NEWPORT BEACH
PUBLIC WORKS DEPARTMENT

**SINGLE-METER CABINET
MOUNTING DETAIL**

APPROVED:

RCE NO. 36106

PUBLIC WORKS DIRECTOR

Drawn: M. Elias

Scale: N.T.S.

Date: Jan. 2004

FILED: S:\PBW\Shared\CAD STD Details\2003 StdSTD SLight

DRAWING NO.

STD-206-L