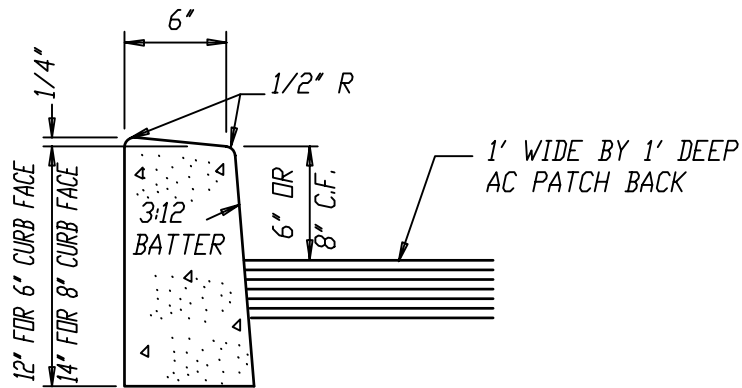


TYPE A P.C.C. CURB AND GUTTER

(CURB FACE SHALL BE 6" UNLESS OTHERWISE NOTED)



TYPE B P.C.C. CURB

(CURB FACE SHALL BE 6" UNLESS OTHERWISE NOTED)

NOTES:

1. GUTTER SURFACE WITHIN 4" OF FLOWLINE SHALL BE GIVEN A STEEL TROWEL. (APPLIES TO TYPE "A" CURB)
2. PREFORMED 3/8" THICK EXPANSION FILLER SHALL BE INSTALLED IN ALL TYPES OF CURB AT THE B.C. AND E.C. OF RETURNS, AT INTERVALS OF 60' BETWEEN RETURNS AND AT THE ENDS OF DRIVEWAYS. SIMILAR EXPANSION JOINTS SHALL BE INSTALLED IN ALL GUTTERS ADJOINING CURB. WEAKENED PLANE JOINTS SHALL BE FORMED AT INTERVALS OF 20' BETWEEN RETURNS. (APPLIES TO TYPES "A", "B", AND "C" CURBS).
3. CONCRETE SHALL BE 560-C-3250.
4. SMOOTH TROWL THE TOP 4-INCH OF THE BACK OF CURB.

CITY OF NEWPORT BEACH
PUBLIC WORKS DEPARTMENT

STANDARD CURB SECTIONS TYPES "A" AND "B"

APPROVED:



PUBLIC WORKS DIRECTOR

RCE NO. 36106

Drawn: M.Gracia

Scale: N.T.S.

Date: Nov. 1993

F:\USERS\PBW\Shared\CAD_STD\
STD Details\2003_Std

DRAWING NO.

STD-182-L