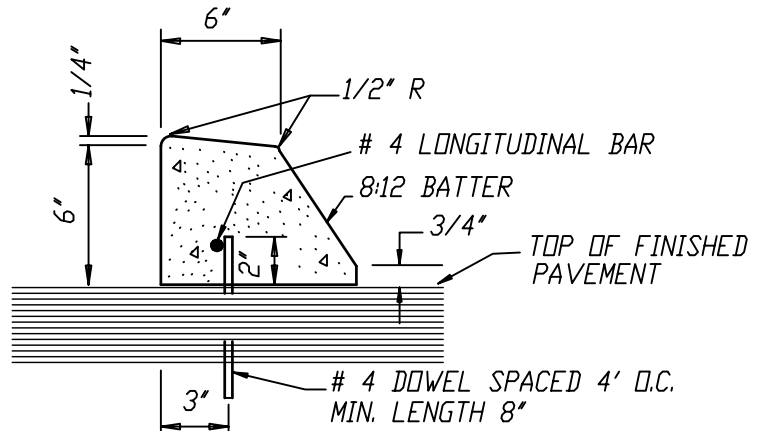


NOTES:

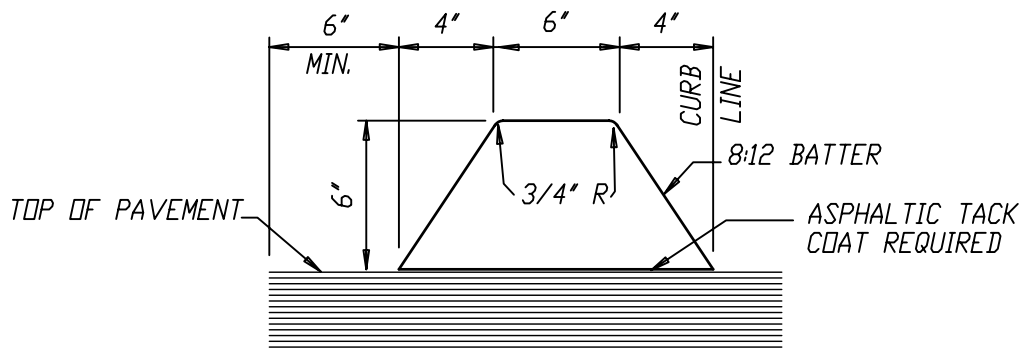
1. IN SUPER ELEVATED SECTIONS THE GUTTER SLOPE SHALL FOLLOW THE CROSS SLOPE OF THE STREET PAVEMENT.
2. SEE NOTES ON STD.-182-L FOR INFORMATION ON JOINT.
3. CONCRETE TO BE 560-C-3250.

TYPE C P.C.C. CURB AND GUTTER

DOWELS MAY BE DELETED AND CURB UNREINFORCED WHEN EXTRUDED CONCRETE IS BONDED TO PAVEMENT SURFACE WITH APPROVED EPOXY ADHESIVE CONFORMING TO STATE OF CALIFORNIA SPECIFICATION 8040-01E-08 AND BE USED IN STRICT ACCORD WITH THE MANUFACTURER'S PRINTED INSTRUCTIONS.



TYPE D P.C.C. CURB



TYPE E ASPHALTIC CONCRETE CURB

CITY OF NEWPORT BEACH

PUBLIC WORKS DEPARTMENT

APPROVED:

PUBLIC WORKS DIRECTOR

RCE NO. 36106

Drawn: M.Gracia

Scale: N.T.S.

Date: Nov. 1993

F:\USERS\PBW\Shared\CAD_STD\STD Details\2003_Std

DRAWING NO.

STD-183-L

**STANDARD CURB SECTIONS
TYPES "C", "D" AND "E"**