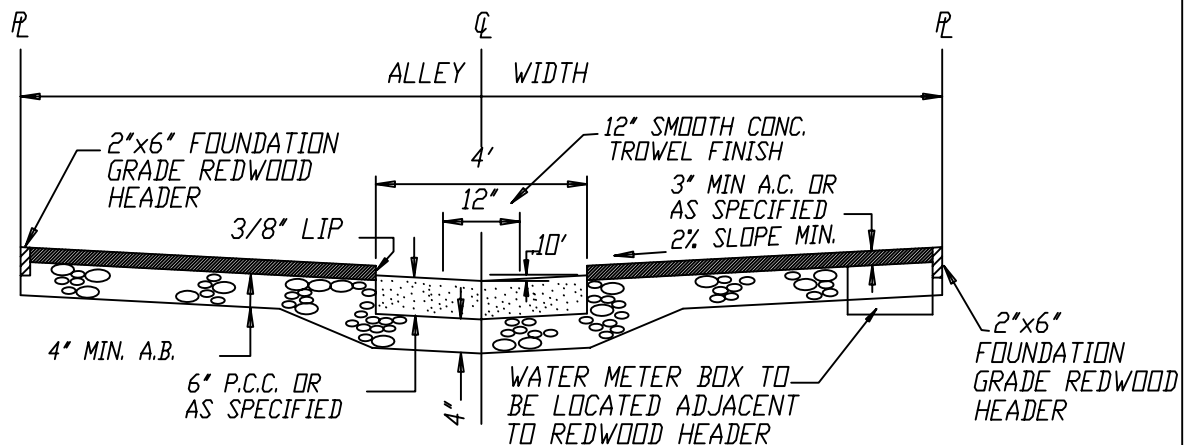


## PORTLAND CEMENT CONCRETE ALLEY

(REQUIRED FOR ALLEYS LESS THAN 16 FEET WIDE)

### GENERAL NOTES:

1. CONCRETE SHALL BE 5600-C-3250
2. ALLEYS 16 FEET OR LESS IN WIDTH SHALL BE CONSTRUCTED WITH A 2-INCH DEEP SAW CUT 2-FEET ON EACH SIDE OF THE CENTERLINE TO DEFINE AND ISOLATE THE CENTER STRIP GUTTER PORTION OF THE ALLEY.
3. ALLEYS EXCEEDING 16 FEET IN WIDTH SHALL BE CONSTRUCTED WITH 4 FEET WIDE, 6" THICK, P.C.C. STRIP GUTTERS WITH KEYWAY ALONG EACH SIDE.
4. ALLEY SHALL BE FINISHED FROM EDGE TO CENTER ALONG EACH SIDE, NOT FROM EDGE TO EDGE. A CONSISTENT WELL DEFINED VEE SHALL BE MAINTAINED.
5. WRAP ALL POWER POLES WITH 3/8" PREMOLDED JOINT FILLER.
6. WEAKENED PLANE JOINTS AND PREMOLDED JOINT FILLER SHALL BE PER STD-141-L.
7. CENTER LINE AND BOTH PROPERTY LINE GRADES SHALL BE SHOWN ON IMPROVEMENT PLANS.



## ASPHALTIC CONCRETE ALLEY WITH P.C.C. GUTTER

(ALLOWED AS ALTERNATE TO P.C.C. ALLEY FOR 16 FEET OR GREATER WIDTH)

REV. 1/03 MW  
REV. 9/93

**CITY OF NEWPORT BEACH**  
PUBLIC WORKS DEPARTMENT

APPROVED:

  
PUBLIC WORKS DIRECTOR

**TYPICAL ALLEY  
SECTIONS**

RCE NO. 36106

Date: SEPT. 1994

Drawn by: M. GRACIA

Scale: N.T.S.

F:\USERS\PBW\Shared\CAD\_STD\STD\_Details\2003\_Std

DRAWING NO.

**STD-140-L**